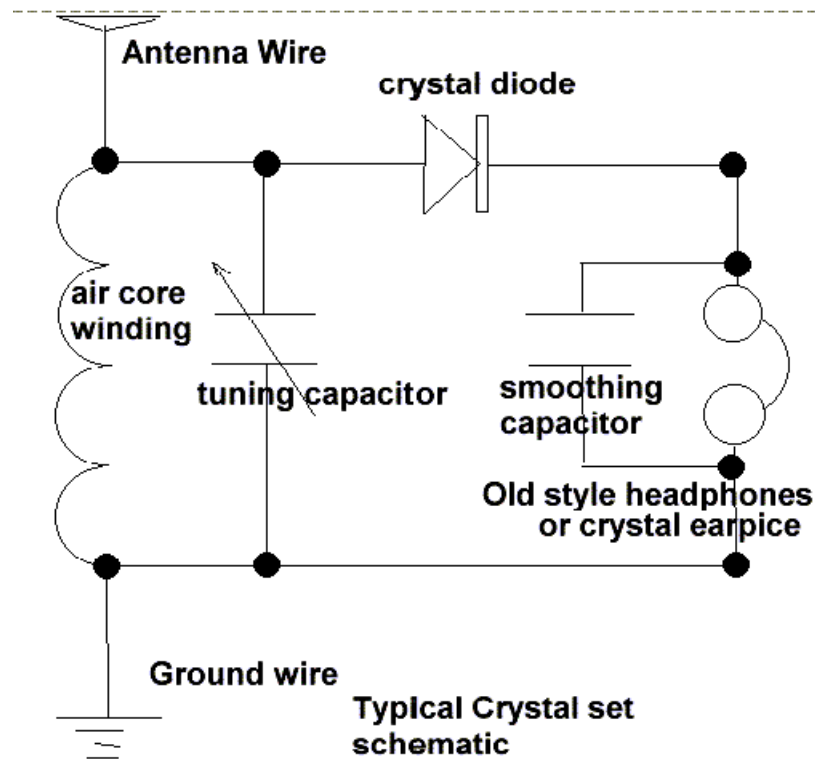


THE FREE ENERGY CIRCUIT

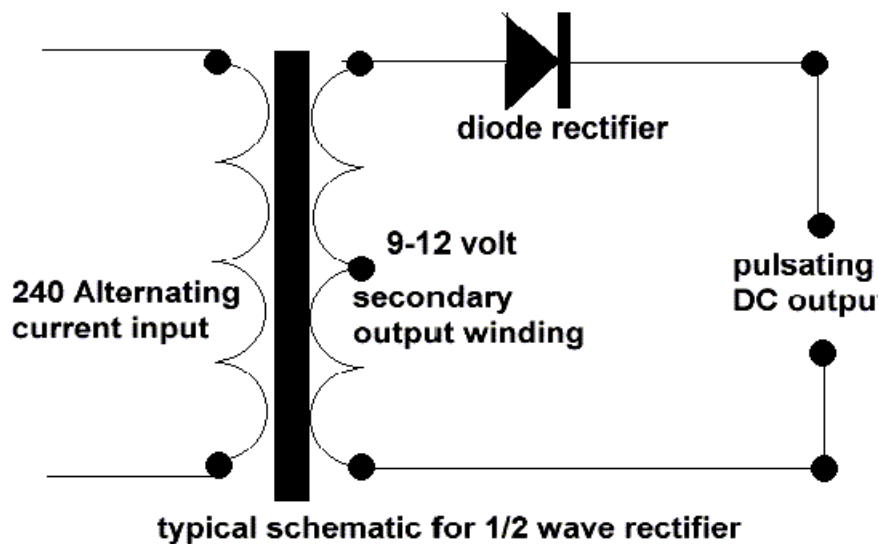
By Geoff Egel

This article appeared in Australian Magazine Hard Evidence May/June 2002



Many will recognize the above circuit as a schematic for the early crystal radio set receivers that many radio enthusiasts built when young ,I built many in the early nineteen sixties not only to receive the local AM radio stations but with a suitable antenna and by changing the coil windings ,size and diameter I was able to receive Radio Australia and the then ship to shore radio telephone service from Sydney Australia and, I believe this was over a thousand kilometers away from where I lived at the time.

Remember the crystal set was able to let your listen to local radio stations without need for a power supply but run from the power sent out by the radio station itself.



Others with a little imagination can see it as a half wave dc power rectification schematic .

This is an interesting circuit and as is the case in nature where nature uses common designs for each of its various creation, so it may be the case that the circuit designs as shown above may be the common circuit that may be useful in uncovering the secrets to free energy.

After seeing the simple circuit as described by Dr Peter Lindemann Dsc I was stuck by the similarity between the circuits that other free energy researchers claimed to have used in their invention.

The basic concept as I understand it, is a high frequency high voltage, low current rectified and then used to charge a bank of high value and high voltage capacitors and then to discharge them in pulse mode for brief period of time, nano seconds in fact by, means of a high speed electronic switching circuit or mechanical device and a rectification method that will only allow the high voltage charge to flow in only one direction .

The switching device or firing device could be a rotating spark gap as used by Nicola Tesla or some high speed electronic device, it is my belief that only glass tubes such as diodes or triode valves are really good at this and not transistors as they cannot handle the high voltage and high current produced in these devices without burning themselves out..

This type of design can produce a very high amperage current for a fraction a second that can be used to do some useful work if properly harnessed.

A point to remember is that Paul Baumann claims to have built his first device called the Testakica when in prison and as such did not have access to exotic materials as is often described in other theories of how the Testakica free energy machine was said to have worked.

Please note engineers from Europe have actually seen the device working.

One would conclude from this, that as such, that the home experimenter should also be able to build such a device from material source from around the home and the local area.

REMEMBER THE KISS PRINCIPLE AND KEEP IT SIMPLE STUPID.

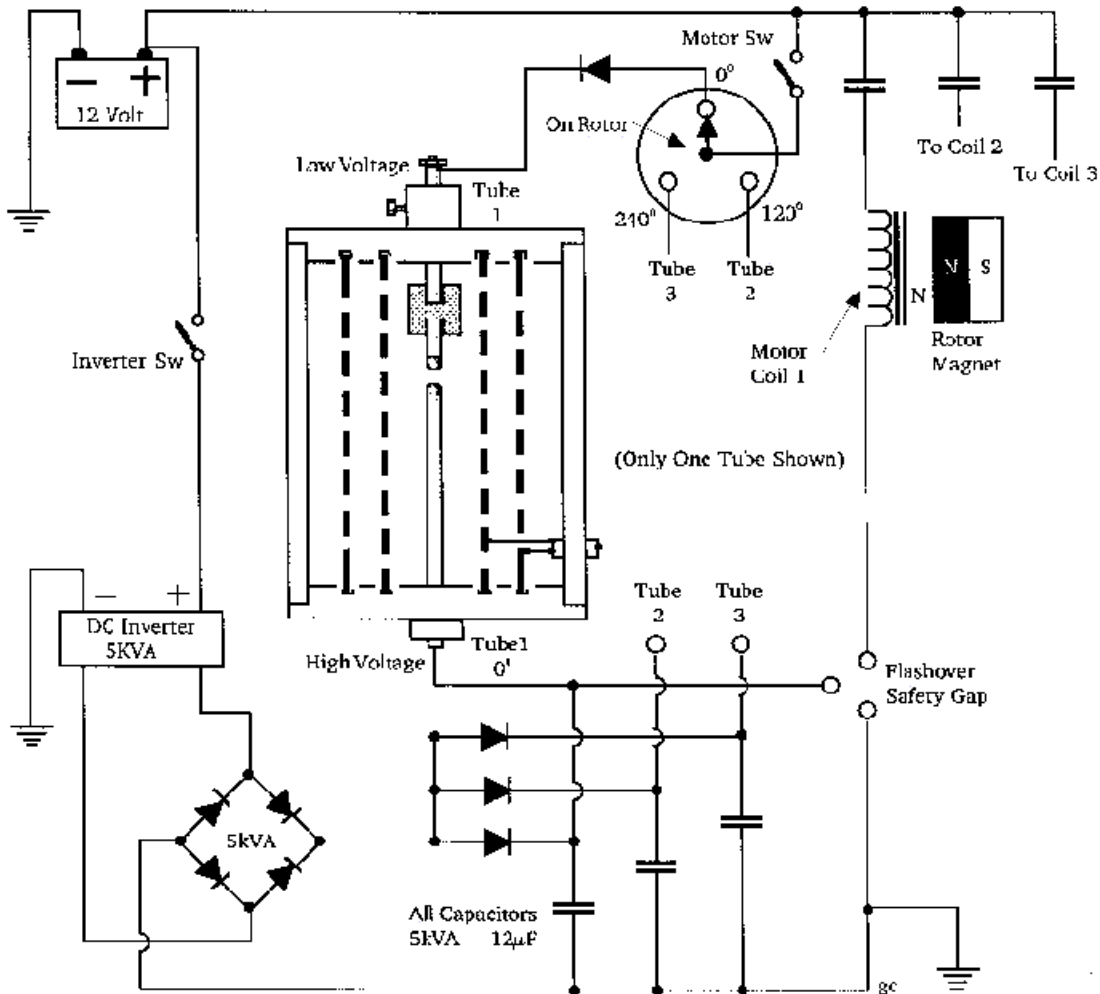
Getting the high voltage to start with.

There are two main types of methods that I am aware of are they are.

STEP UP VOLTAGE transformer

ED GRAY MOTOR

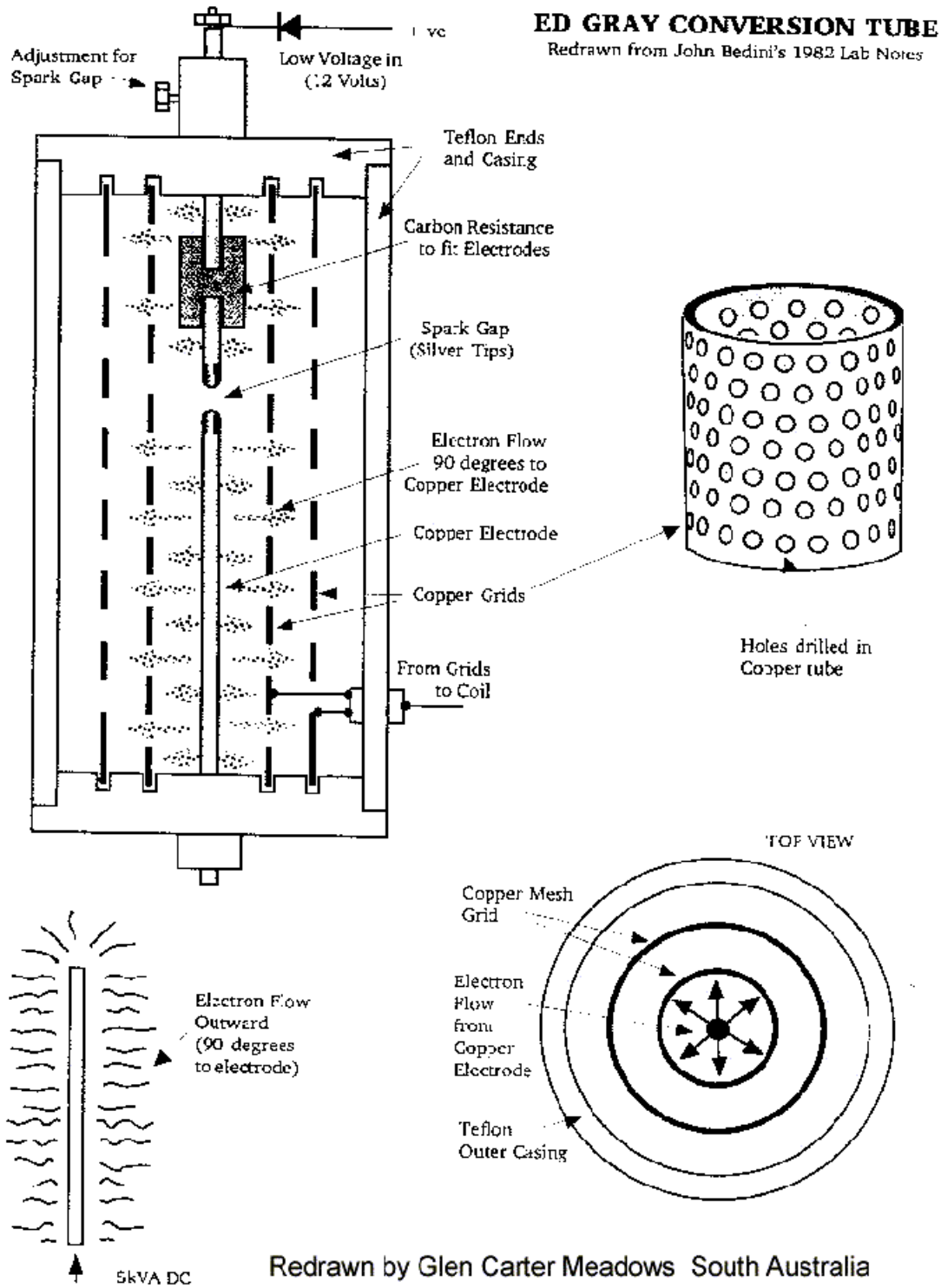
Redrawn from John Bedini's 1982 Lab Notes



Redrawn by Glen Carter Meadows South Australia

As used by Edwin Gray in his invention the charging circuit is basically a 12 volt battery being driven by vibrating relays to pulse the power through a step up transformer to raise voltage from 12 volt to approx 3000 volts this then, is rectified and used to charge a bank of high voltage capacitors.

This bank of capacitors is then discharged for a nano seconds period into special design tube which seems nothing than a copper rod a spark gap some carbon with maybe enclosed oxygen and a series of concentric rings around the spark gap and the resulting power collected on those rings is then fed to the earth via a air induction transformer or to the positive terminal of the charging batteries .

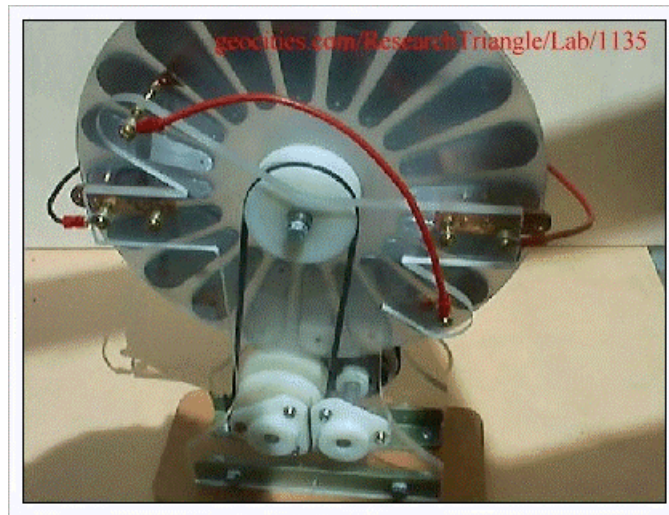


The power appearing at secondary of this air induction transformer is then used to power the motoring coils of the specially design motor.

High Voltage Induction Coil

Another method used in early X-ray machine and also Marconi in his first radio transmission across the Atlantic ocean was the induction coil basically a two coils wound on a metal rod a small number of primary windings in heavier gauge wire and large number of finer gauge winding ,basically a step up transformer using the primary magnetic field to operate a switch that controls the power to the primary winding.

This causes the magnetic field in the primary coil to build up and down which then causes an induction an alternating high voltage output in the secondary coil.(most likely a square wave)



A home made Wimshurst Machine

Electrostatic generation of high Potential.

The People at the Swiss Community of Merithnita seem to be using a Wimshurst machine to generate the high voltage needed to run their free energy device and home workshop handyman should be able to construct one for themselves

Check the following website for more details on this device
<http://energy21.org/swiss.htm>

The device was a popular means to generate high voltage in the late 19 century and early 20 century .

Its role was at some stage used to provide the high voltage needed for early x-ray machines in hospitals but today is usually superseded by the modern electronic version or the Van de Graaf machine in modern physics laboratories today.

The Wimshurst design is basically two counter rotating disks of a plastic or glass

material upon which are placed metal foil leaf sections spaced and separated from each other around the disk surface..

These twin's discs are spun in opposing directions on a common axle by means of a belt either hand driven or motor driven.

Brushes mounted at various points near the disk's metal plates but not touching the disk collect the charge and usually then conduct it to a capacitor storage position or discharge the built up charge through a spark gap.

ANOTHER DEVICE IS CALLED A DIROD invented by A.D.MOORE

This is a flat circular plastic disk upon which have been glued several conductive metal rods mounted in radial positions around the disk.

This disk is spun by means of a hand crank

Four pickup positions mounted along side the spinning rods pick up the charge through conductive foil or conductive plastic as used in computer electronic parts packaging and then either discharge the high voltage buildup through a spark gap or charge a capacitor bank.

It is my conclusion that the Single Swiss disk version of the Testatika makes use of the Dirod principle in its design of the smaller version of the single disk Testatika machine to generate the high voltage potential.

I refer to the circuit diagram as reproduced below which consists of transformer which raises the voltage to several thousand volts which charges a capacitor bank to several thousand volts and then discharges it across a spark gap.

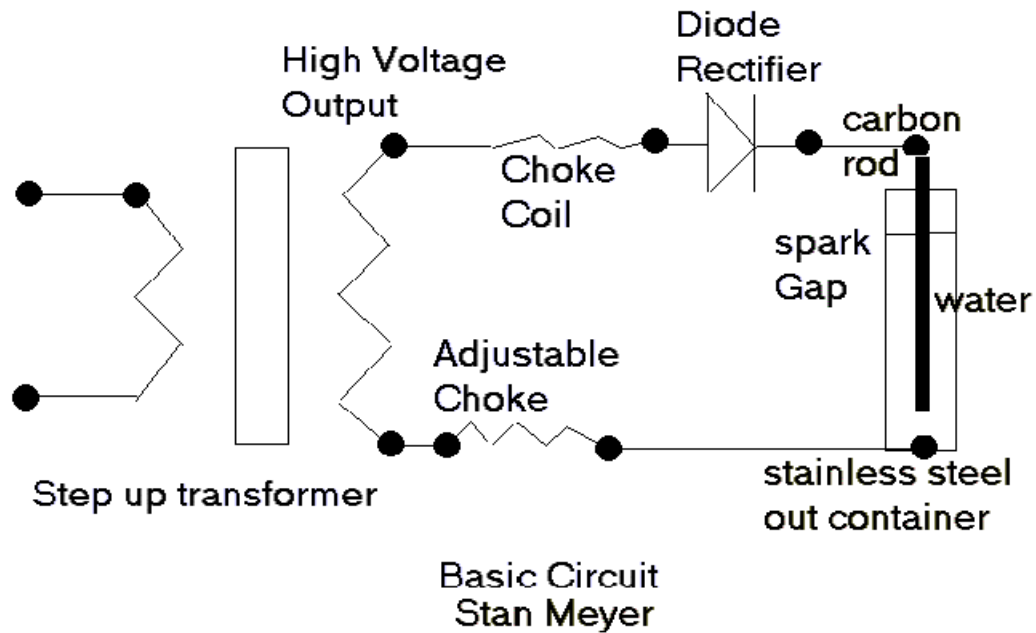
In the original patent drawing as produced by Stan Meyers the transformer appears to be an automotive step up transformer but as friend has indicated to me that the coil would be unable to handle the frequencies needed to make this circuit perform ,he however has removed the center core material and has found he is able to use it at high frequencies.

My friend is using a waveform generator (square wave) to drive an electronic high voltage car ignition system as used in modern automobiles ,I think he had made it from kit.

I saw him using this setup to drive high voltage sparks across some ½ inch carbon rods and it seemed rather impressive.

He used a car battery as the power source.

A POSSIBLE STAN MEYERS CIRCUIT



<http://www.Fortunecity.com/greenfield/bp/16/stanleymeyer.htm>

This circuit appears to charge a water cell with a high voltage source, Stan Meyers claims he had to resonated the water cell with a high voltage charge and then when the dielectric would break down, the resulting high current through the water causes electrolysis and breaks it down into hydrogen and oxygen as well as other dissolved gases in the water that could then be used to power a motor vehicle on demand..

The question of him resonating the cell as indicated in his patent application would appear to be incorrect as he has added a diode in the output circuit this would in fact making it a high voltage DC pulsating circuit, this could also be the method that xogen.com were using to get their big advances in hydrogen production.

This circuit diagram would now appear to be a simple high voltage charging circuit and the water cell is now in fact acting like capacitor and the dielectric being the water itself.

The choke coils in the circuit and one seems to be adjustable maybe to prevent the premature voltage breakdowns due to short high voltage spikes that would need to be avoided.

Other's more in the know of the function of such circuit could perhaps fill me and others in more,

As I understand it when the voltage reaches a point where the dielectric breakdowns ,the voltage short circuits causing a high current surge for a brief period time causing the water to break down into gas combinations by means of electrolysis releasing both hydrogen ,oxygen and the other dissolved gas in the water..

A friend of mine has used carbon rods in some high voltage experiments and has found that they seem to work better than stainless steel ones which seem to contaminate the water cell, he has found that by using carbon welding rods the contaminating action does not seem to occur.

He has also tried the circuit with out the rectifying diode and found that he could get any gas to form.

He has limited success using two carbon rods in the container at this stage..

I feel however that if you use a single carbon rod in the center of metal water containment vessel and use it also as the other terminal it might be possible to get greater output of gases.

THE POWER WHEEL OF CALVIN BAHLMANN

Calvin has built a power wheel using NIB magnets and special coils.

The large plexi glass wheel is covered with neo-boron magnets which revolve at a constant rpm ,the coils only gather a voltage but this is used to charge a capacitor bank which discharges at predetermined ratio to the driving coils.

It's certainly impressive to see his large unit running on a small nine volt battery and not missing a beat.

One could assume that the nine volt battery did not have power enough to drive this thing.

The device was on show recently at Bruce Perrault inventors 2001 weekend and I would certainly recommend you get yourself a copy of the video.

<http://nuenergy.org>

JOHN BEDINI

John Bedini has been doing something with similar with coils and capacitor banks

using trigger switches mounted on additional rotating smaller wheel to run his machines.

This apparently he has done for years but largely ignored ,but has had some success lately with a student winning a science fair award with a variation of his idea and the granting of a U.S. patent.

<http://www.Fortunecity.com/greenfield/bp/16/student.htm>

The device is basically a roller to which four magnet have been attached and moving over a magnet pickup coil and a drive coil on the same former.

The device is not self starting but once spun as I understand it will continue to run with the magnetic field produced in the pickup coil by the spinning magnets switching the drive circuit transistor and acting as switch to pulse the current need to fire the motive coil.

I have tried to reproduce the device myself ,but with little success ,but have no doubts that John Bedini ideas works and the trouble is at my end not his.

John Bedini has been granted a patent on a more complex device based on this principle and hopefully something positive comes of this.

Ed Gray Circuit

This too seems to a circuit with similarities with the others

Here a bank of batteries is used to create a high voltage and is transformed by means of an air core transformer then rectified and then used to charge a bank of capacitors

The capacitors then are in turn discharged through spark gap and for a brief period of time by some means mechanical or other means and into a special tube and spark gap rod component that appears to consist of some carbon and other metals surrounded by a grid that some say collects the high charge resulting in the buildup of voltage in the spark gap conductors prior the discharge from the area surrounding the spark gap.

This then claimed excess energy is collected from the surrounding cylinders and then transformed to do useful work.

The Testakica Machine

I have had an interest in these machine for some time ,but never really understood how it worked but knew it had to be based on something simple as the Inventor

Paul Buamann built his first unit in prison and would have not been able resource exotic materials as have claimed by to be the method by which the device works.

It would seem to me be based around some of the concepts as discovered Edwin Gray.

The spinning wimshurst machine twin disc's creates the high voltage source need to charge the capacitor bank which are then discharged at a precise time period ,I believe the rectification mentioned in video refers the stopping a reverse current and voltage flow as is the case in Edwin Gray Device

This is how I think the Large machine works although no one apart from Merintnita organization really know and with the death of Paul Bahmann the secret may be lost forever.

I believe the machine actually collect and stores high voltage collected from the spinning disk.

The video says the device is started by spinning the disk by hand. And then becomes self running.

The video also says the device need to operate a given speed and apparently slowly as well.

The device rectifies the high voltage produced.

There appears to be more pickup points than is really needed to capture the high voltage (a wimshurst machine really only needs only eight collecting positions on the disk to function , and

I suspect the other eight brush positions are a method to feed some of the high voltage produced from the cans area on the device to enable it to be used as a propelling force which is possible if the disc's are properly balanced,

See more of high voltage motoring rotating cups here'

[http:// www.Fortunecity.com/greenfield/bp/16//ionmotor.htm](http://www.Fortunecity.com/greenfield/bp/16//ionmotor.htm)

What it does not say that there must be a firing control for the high voltage, possibility a version of a rotating spark gap, I suspect this is controlled by means somewhere on the disk either directly or by means of the belt drive that appears to be on the machine as a speed control function.

Theres a Pal video that's out there that was produced approximately 20 years ago now that gives a detailed account of the metherinthina community and show the

testakica machine working.

John Bedini on his machine uses a separate disk driven with belt to main revolving wheel with a contact point on it to fire the pulse for his machine maybe it something similar for the Testakica.

I notice on The Testakica machine video what appears to be a relay or pickup coil opposite a revolving wheel which needs some explaining as to what it function could perform.

I agree with others that now say the big cans perform a function similar to the Ed Gray Capture tube but I think with a slight difference.

I believe there could be a rotating spark gap controlling the high voltage pulse delivered to the tube and that there is no spark gap as such in the capture tube but it could have a large carbon rod in each and then connected in series to the other rod in the other capture tube as well as the rotating spark gap and the high voltage capacitors.

I noticed too that Ed Gray used a piece of carbon in his device and called it a carbon resistor, I have my doubts as to the value of the resistance value.

I am not sure but I believe the carbon mentioned here is a form of graphite as used in normal lead pencils and some small voltage dry cell batteries and in some welding applications.

I have noticed too that several other experimenter using carbon components in their type of devices and are getting better results than expected as well.

I have been informed that graphite brick's were also used in the first atomic pile.

Apparently some capacitor manufactures today are using carbon plate's area's to manufacture superior capacitors so carbon itself could be something to examine closely.

Telsa is also said that carbon was excellent at capturing the energy he was experimenting with, so I would suggest that there is a whole carbon rod running the entire inside length of the large capture cans shown in front of the testakica in most photographs I have seen of the device.

DONALD L SMITH

It has come to attention that an elderly inventor in the United has build a Tesla coil and then surrounded it with a collection of other coils that resonate in time with the

main coil arrangement.

With this the inventor claims to be able to manipulate the surrounding electrical fields in the Tesla coil so that it is reproduced in each other coil surrounding the main Tesla coil ,it seems each coil itself collects and reproduce the power sent from the main coil.

This the inventor seems to allows collection of power that could be in excess of over unity but the inventor makes no claims as to such a fact that this is indeed the case

.This example is not practical but if you had hundreds of exactly tuned crystal sets to the same frequency around a powerful transmitter, would each new receiving set reduced the overall signal strength available to the other sets.

I think not.

So Donald L Smith could be on to something.

Another example is the resonating glass trick ,this is done by moving a finger across the top of thin walled glass and if this is done correctly it will cause the glass to produce a ringing sound.

If there are glasses exactly the same nearby they too will resonate as well.

Interesting subject the power of resonance.

THE PEOPLE MOVER

Some months ago now there appear on TV from the United States a motor scooter that was said to be the IT or Ginger that people have appeared curious about for some time.

I have heard it can run at 12mph for 24hrs on a few cents of electricity, I not aware of any batteries that can provided this much power for this amount time ,So could this be the first of free energy devices on the market and the inventor seems to indicate that there more come.

For more detailed information and related energy material on this subject of free energy and other related articles with a wide range of schematics ,diagrams and drawings that we cannot provide here please visit our energy21 website which by the way some claim on the web as the best free energy website and it's Australian as well

at <http://www.Fortunecity.com/greenfield/bp/16/>

Other resources to visit on the internet are

<http://www.Fortunecity.com/greenfield/bp/16/content1.htm>

The energy 2000 newsgroup

<http://groups.yahoo.com/group/group/energy2000>

Other resource recommended energy sites.

Astro

Alternative Science and Technology Research Alternative (Adelaide South Australia)

<http://astrosa.8k.com/>

Clear Tech Peter Lindemann own website

<http://www.free-energy.cc/>

From JIN Labs France

<http://jnaudin.free-fr/>

About the Author.

Geoff Egel is web page coordinator who has created the energy 21 web site and others.

He has had an interested in the free energy scene for the past twenty years and is a backyard experimenter and maintains contact with others in the field.

He also maintains the energy 2000 newsgroup and has also completed a massive 600 meg CD called the encyclopedia of free energy.

Check at <http://angelfire.com/ak/egel/ver2.html> for more details

Although with no formal qualification he has built up a comprehensive collection of articles on the web from many other researchers in the fields.

He can be contacted directly by email at

egel@main.murray.net.au or via the energy2000 newsgroup.